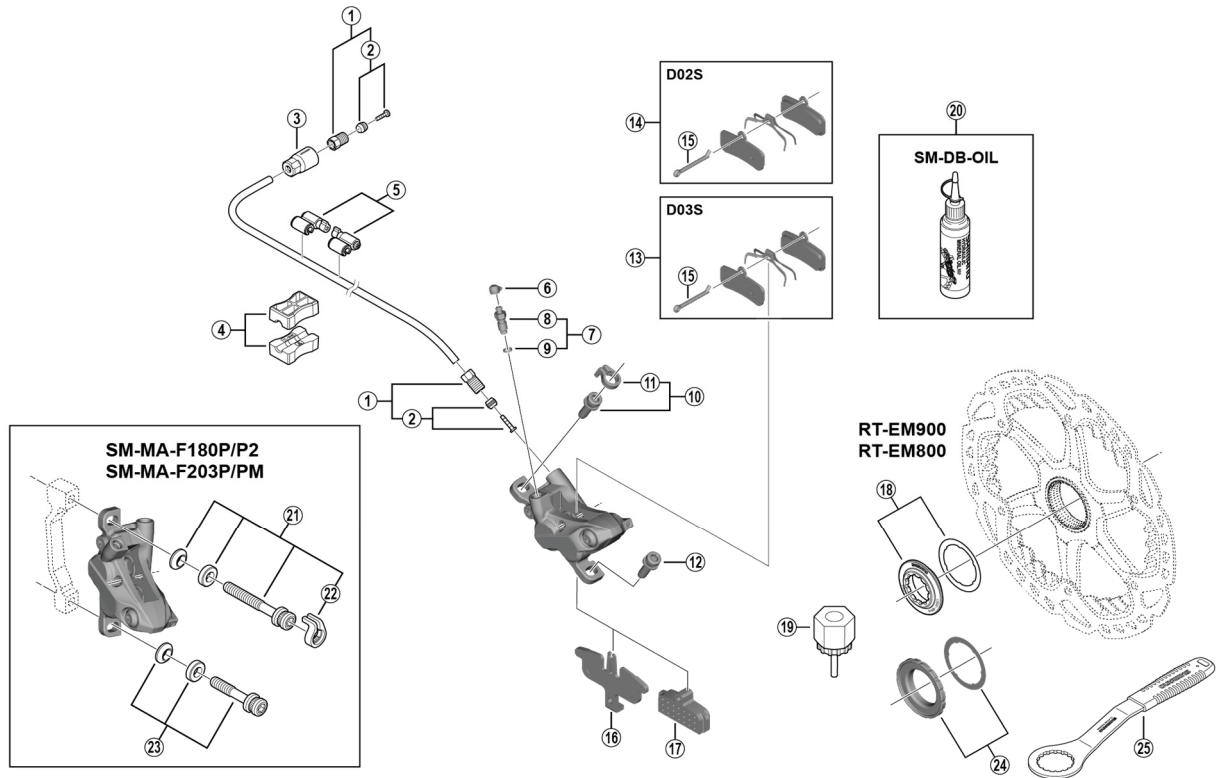


Disc Brake

**BR-MT520** Brake Caliper

**SM-BH90-SS** Brake Hose

**RT-EM900/RT-EM800** Disc Rotor



ITEM NO.	SHIMANO CODE NO.	DESCRIPTION
1	Y8KH98010	Flare nut unit
2	Y8JA98020	Olive and connector insert
3	Y8WM14000	Cover
4	Y8H198030	TL-BH61 Shimano original tool (2 pcs.)
5	Y83098040	SM-HANG Hose supporter A and B
6	Y8B214000	Bleed nipple cap
7	Y8ES98020	Bleed nipple and seal ring
8	Y8CL24100	Bleed nipple
9	Y8B511000	O-ring for bleed nipple
10	Y2F398020	Caliper fixing screw (M6 x 18.7) and snap ring
11	Y2RT06000	Snap ring
12	Y8C509020	Caliper fixing screw (M6 x 18.7)
*	EBPD03SRXA	D03S Resin pad and spring with split pin (pair)
	Y1XM98010	
*	EBPD03SRXBS	D03S Resin pad and spring with split pin (25 pairs)
	Y1XM98011	
*	IBPD02SMXA	D02S Metal pad and spring with split pin (pair)
	Y8FF98010	
15	Y8DB06100	Split pin
16	Y1Y003000	Pad spacer
17	Y8FF19000	Bleeding spacer
18	Y8K198010	Lock ring and washer
19	Y12009230	TL-LR15 Lock ring removal tool
20	Y83998020	Mineral oil (100 ml)
	Y83998030	Mineral oil (500 ml)
21	Y2RT98020	Caliper fixing screw unit (M6 x 37.9) for SM-MA-F180P/P2
	Y2RT98030	Caliper fixing screw unit (M6 x 40.2) for SM-MA-F203P/PM
22	Y2RT07000	Snap ring
23	Y8G498030	Caliper fixing screw unit (M6 x 32.1) for SM-MA-F180P/P2
	Y8J498020	Caliper fixing screw unit (M6 x 34.4) for SM-MA-F203P/PM
24	Y26L98030	Lock ring and washer (external spline type)
25	Y13098000	TL-FC36 Lock ring removal tool

Jul.-2022-4352B  
© Shimano Inc. I

Specifications are subject to change without notice.

**SHIMANO**